

PAMS Technical Documentation

NPM-9 Series Transceivers

Non Serviceable Accessories

CONTENTS

BLB-2 Standard Battery	3
ACP-7 Standard Charger	4
Products	4
Specification	4
ACP-8 Travel Charger	5
Products	5
Specification	5
DCD-1 Desktop Stand	6
Specification	6
DDC-1 Battery Charging Stand	7
Specification	7
LCH-9 Mobile Charger	8
Specification	8
PPH-1 Plug-in HF Car Kit	9
Specification	9
MBD-10 Mobile Holder	10
MCC-5 Advanced Active Car Holder	11
Product Code	11
HFU-5 Advanced HF Unit	12
Product Code	12
HFS-12 HF Speaker	13
Product Code	13
MKU-1 Mounting Plate	14
HHS-9 Swivel Mount	14
HFM-8 Hands Free Microphone	15
PCH-4J Power Cable	16
Product Code	16
HDD-1 Headset	17
HDC-5 Headset	18
HDE-2 Headset	19
HDB-5 Boom Headset	20
Loopset LPS-3	21
Recommended Batteries	21
HDR-1 Music Player	22

BLB-2 Standard Battery

Features:

- 750 mAh Li-Ion semi-fixed battery
- internal battery that can be changed by the user
- laser printed type label with bar code for traceability
- Dimensions (H x W x D): 53 x 33.1 x 7.1 mm

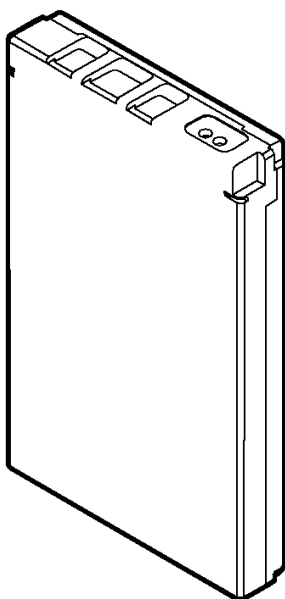
Product code

Product code (Eur/Afr & APAC type label): 0670246

Product code (French type label): 0670262

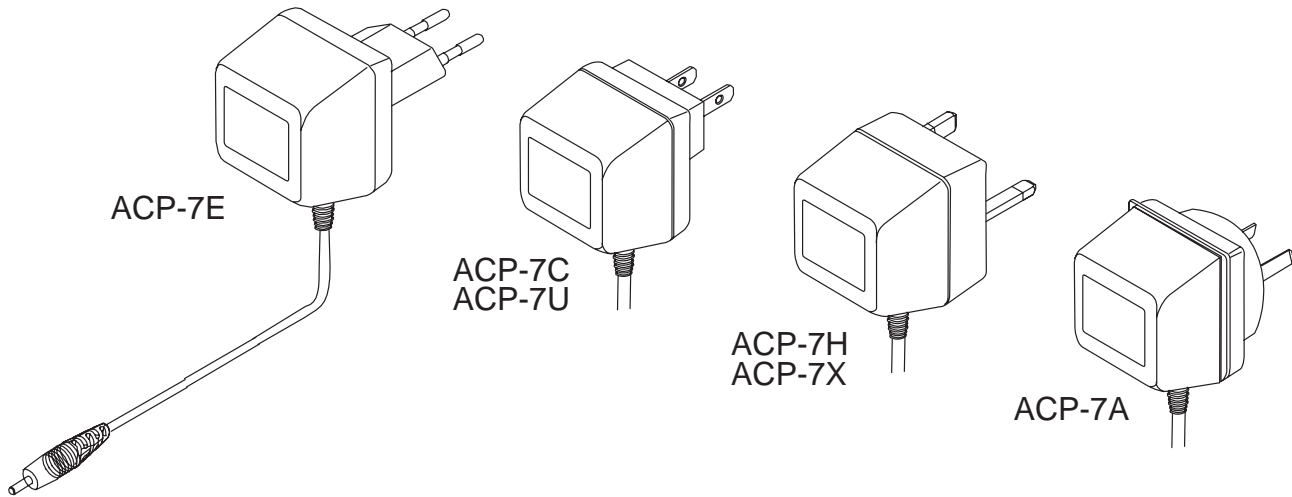
Product code (Chinese type label): 0670254

Product code (Americas type label): 0670322



ACP-7 Standard Charger

The standard charger is available for different voltage levels and comes with different wall plugs. The standard charger can also be used as a power supply for the desktop stand.



S0001160

Products

Standard Charger (Euro plug) 207-253 Vac
Standard Charger (US plug) 108-132 Vac
Standard Charger (US plug) 198-242 Vac
Standard Charger (UK plug) 207-253 Vac
Standard Charger (UK plug) 180-220 Vac
Standard Charger (Australia) 216-264 Vac

ACP-7E 0675171
ACP-7U 0675143
ACP-7C 0675244
ACP-7X 0675145
ACP-7H 0675146
ACP-7A 0675148

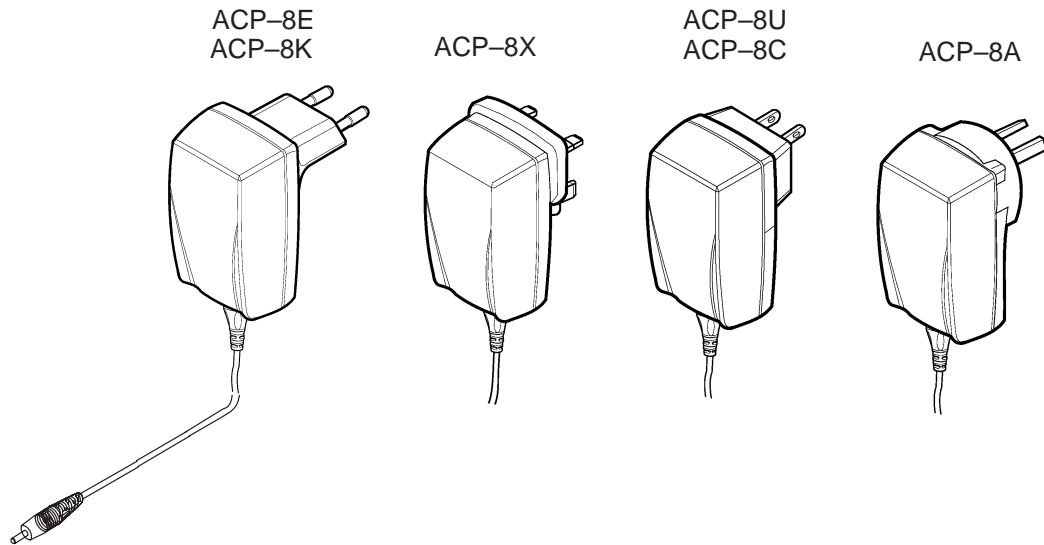
Specification

Output connectors:	3.5 mm DC plug, 2-pole
Protection:	PTC protection
Output Voltage /Current (typ)	7.6 V / 370 mA

ACP-8 Travel Charger

Operating within the voltage range 90 V...264 V AC (50 Hz...60 Hz), the Travel Charger is practically current independent in normal office and household use. Like the standard charger, it is compatible with all battery options and is available for different wall sockets.

The Travel Charger can also be used with desktop stand.



Products and codes

Travel Charger Euro plug 90-264 Vac	ACP-8E	0675195
Travel Charger Korea plug 90-264 Vac	ACP-8K	0675214
Travel Charger UK plug 90-264 Vac	ACP-8X	0675198
Travel Charger US plug 90-264 Vac	ACP-8U	0675196
Travel Charger China plug 90-264 Vac	ACP-8C	0675236
Travel Charger Australia plug 90-264 Vac	ACP-8A	0675211

Specification

Output connectors: 3.5 mm DC plug, 2-pole (+, -, control)

Protection: Output fault voltage 16 V max.

Output voltage/current (typ): 6.0 V (± 0.3 V)/620 mA

DCD-1 Desktop Stand

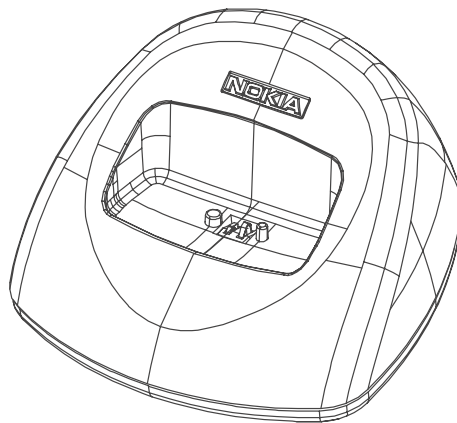
The desktop stand provides a convenient way to charge or keep the phone.

Connects easily to the Standard Charger (ACP-7), the Travel Charger (ACP-8) or the Performance Travel Charger (ACP-9).

Product code

Desktop stand DCD-1

0675253



Specification

Connections:

3.5 mm DC jack (ACP-7 or ACP-8)

DDC-1 Battery Charging Stand

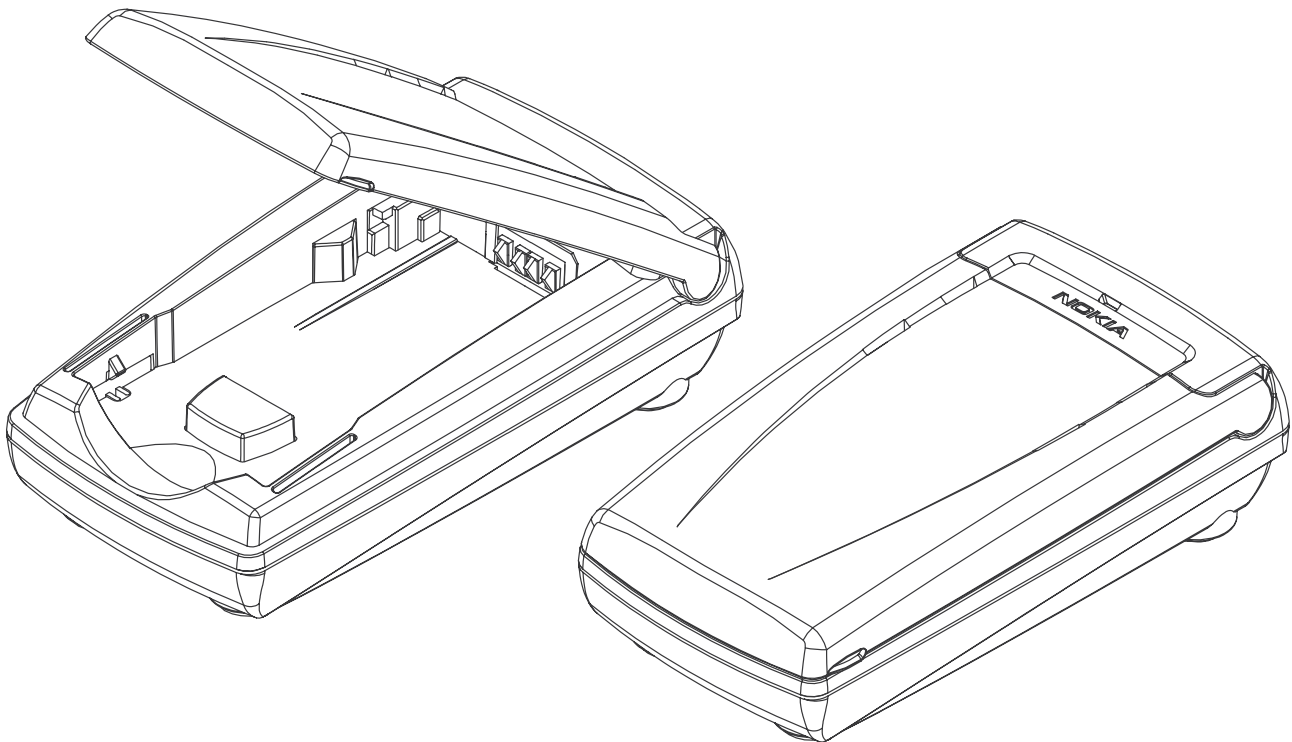
The Battery Charging Stand provides the possibility to charge a spare BLB-2 battery.

Compatible chargers: Standard Charger ACP-7, Travel Charger ACP-8, Performance Travel Charger ACP-9.

Product code

Battery Charging Stand DDC-1

0675243



Specification

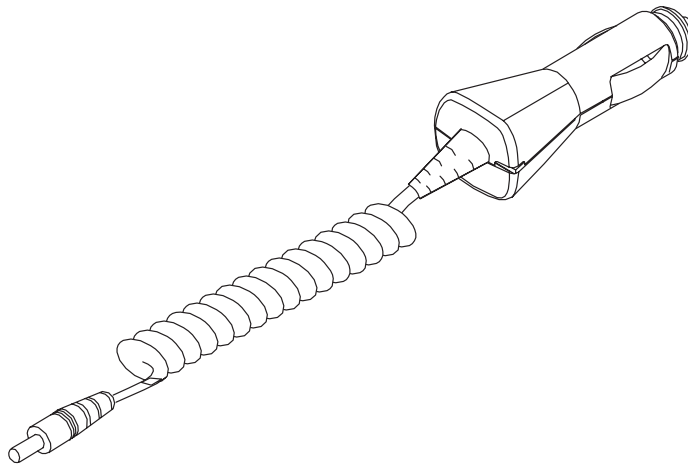
Connections: *3.5 mm DC jack (ACP-7 or ACP-8)*

LCH-9 Mobile Charger

A green light indicates that the cigarette lighter charger is ready for charging. Check the charging status on the phone display. The input voltage can be from 11 or 32 V DC, negative grounding.

Product code

Product code (English type label):	0675120
Product code (Chinese type label):	0675239
Product code (made by manufacturer):	0675170



Specification

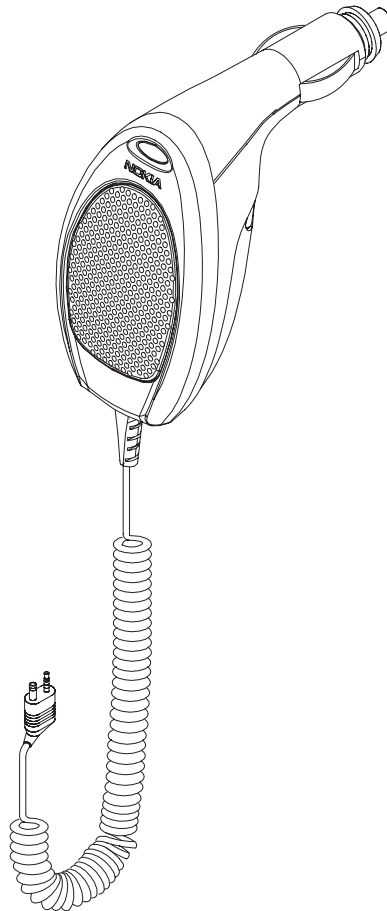
Connectors	
• input:	<i>D 21/23 mm</i>
• output:	<i>3.5 mm DC plug</i>
Protection:	<i>input fused, output current limit 850 mA</i>
Voltage	
• input:	<i>11...32 V</i>
• output (nominal):	<i>8.4 V</i>
Nominal output current:	<i>800 mA</i>

PPH-1 Plug-in HF Car Kit

The PPH-1 provides rapid charging for the phone and possibility for HF (Hands Free) operation. The PPH-1 plug and play hands free unit is connected directly to the cigarette lighter in the car. PPH-1 is connected to Mobile phone with the cable. The cable has combined connector with charger and headset connectors. HF microphone HFM-8 can be connected to PPH-1 connector as well.

Product code

Product code (English type label): 0675182
Product code (Portuguese type label): 0675246



Specification

Output connectors: 3.5 mm DC plug, 2-pole (+, -, control)

Input voltage: 8-16V DC

Protection: Output fault voltage 16 V max.

Output current: 750 mA max.

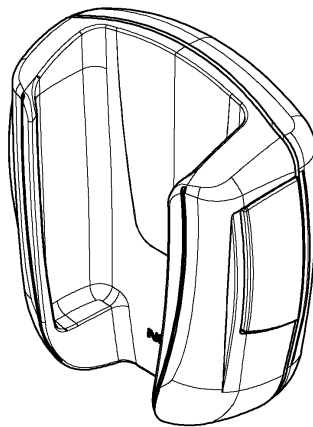
MBD-10 Mobile Holder

The MBD-10 Mobile Holder is used in vehicle to hold the phone. Attaching can be made using swivel or mounting plate

Passive holder supports use with mobile charger and Plug-in HF Car Kit

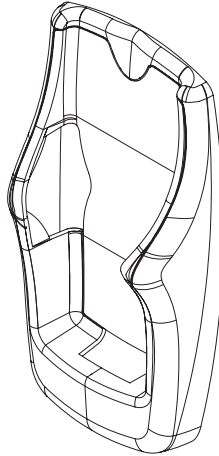
Product code

Product code (Eur/Afr and APAC type label):	0650035
Product code (Chinese type label):	0650036



MCC-5 Advanced Active Car Holder

The Advanced Active Car Holder MCC-5 is used in vehicle to hold the phone. Attaching can be made using swivel or mounting plate.

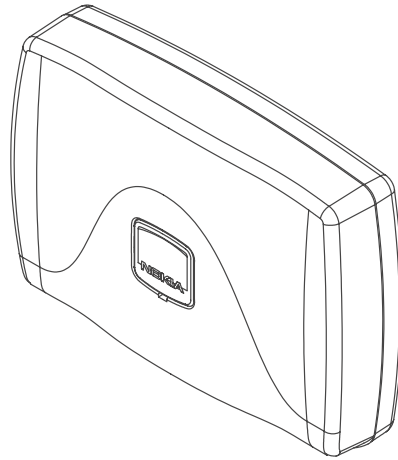


Product Code

MCC-5 Advanced Active Car Holder: 0650044

HFU-5 Advanced HF Unit

The Advanced HF Unit HFU-5 is used in vehicle.



Product Code

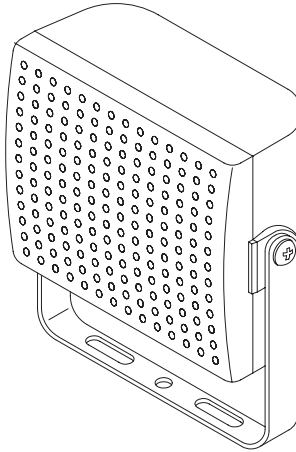
HFU-5 Advanced HF Unit: *0694091*

HFS-12 HF Speaker

The HF Speaker HFS-12 is used in vehicle as a part of CarK132.

Product Code

Handsfree Speaker HFS-12: 0692008



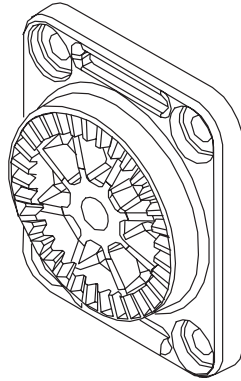
MKU-1 Mounting Plate

The MKU-1 mounting plate provides a method of fixing the MBD-10 Mobile Holder to the vehicle interior.

Product Code

MKU-1 Mounting plate:

0620036



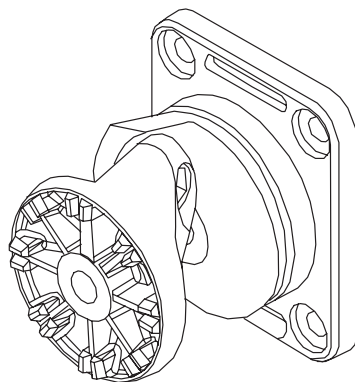
HHS-9 Swivel Mount

The HHS-9 swivel mounting plate provides an alternative (to MKU-1) method of placing the MBD-10 Mobile Holder.

Product Code

HHS-9 Swivel Mount:

0620037

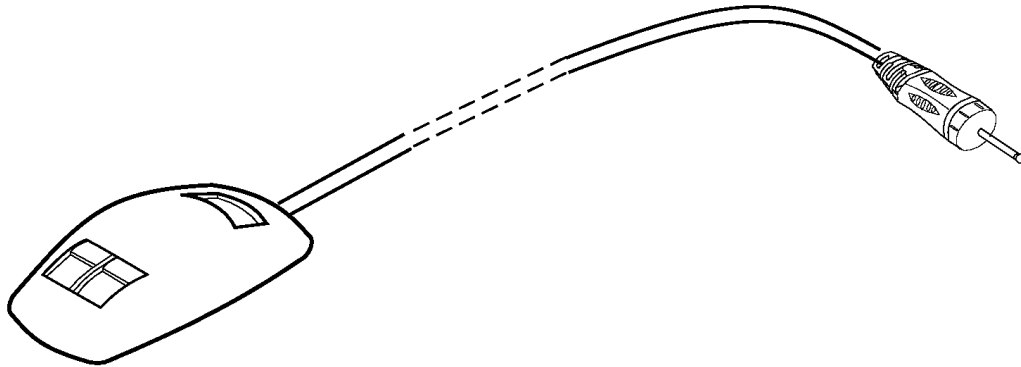


HFM-8 Hands Free Microphone

The HFM-8 microphone can be used together with PPH-1 HF Car Kit.

Product Code

Handsfree microphone HFM-8: *0690016*



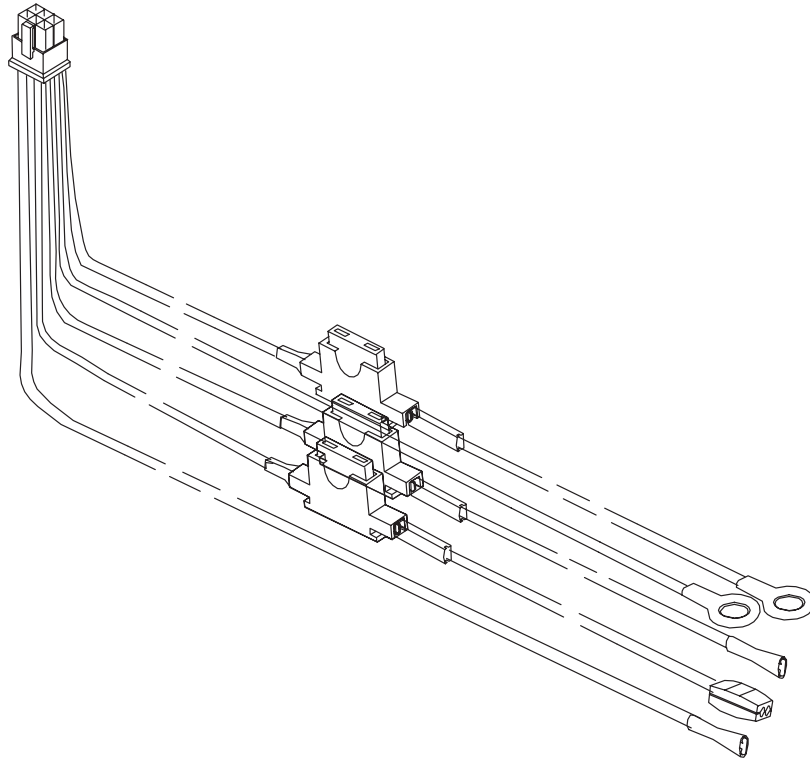
PCH-4J Power Cable

The Power Cable PCH-4J is used to power HFU-5 Advanced HF Unit.

Product Code

Power cable PCH-4J:

0730055

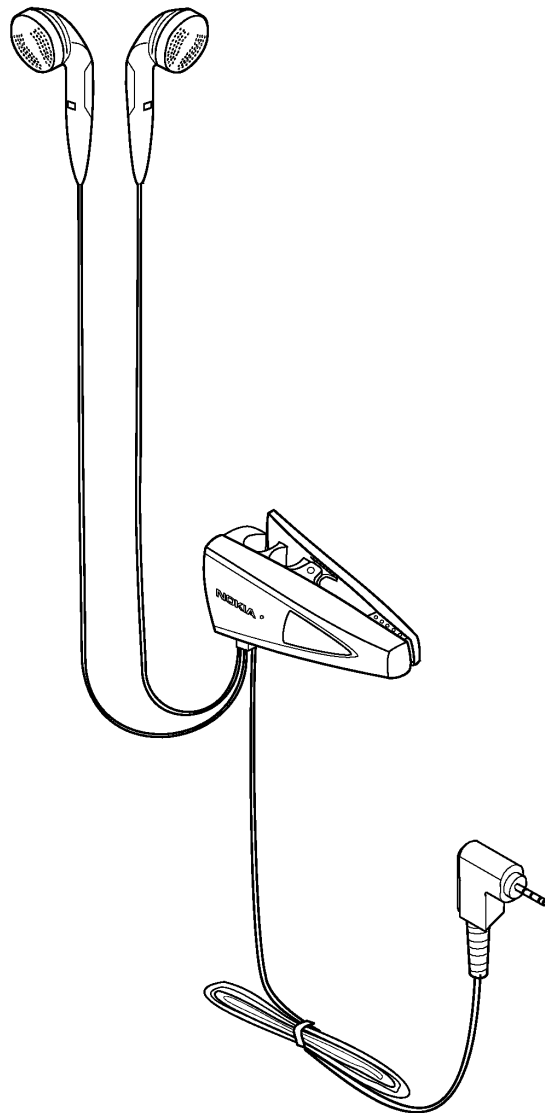


HDD-1 Headset

The HDD-1 headset provides a good audio quality and has also switch for answer/end button.

Product Code

HDD-1 Headset: *0273302*



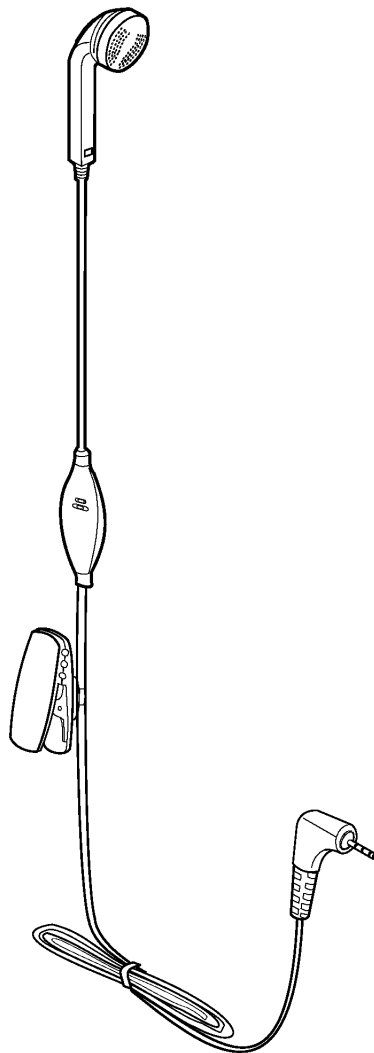
HDC-5 Headset

The HDC-5 headset has also switch for answer/end button.

Product Code

Headset HDC-5:

0694059



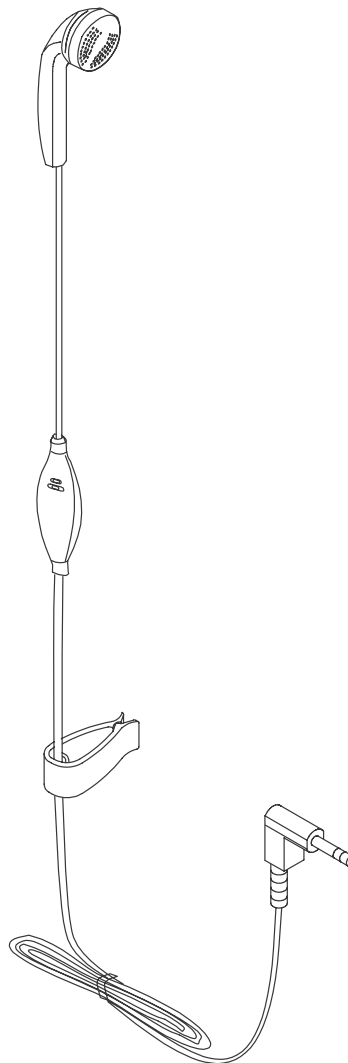
HDE-2 Headset

The HDE-2 headset provides convenient hands free operation of the phone.

Product Code

HDE-2 Headset:

0694075

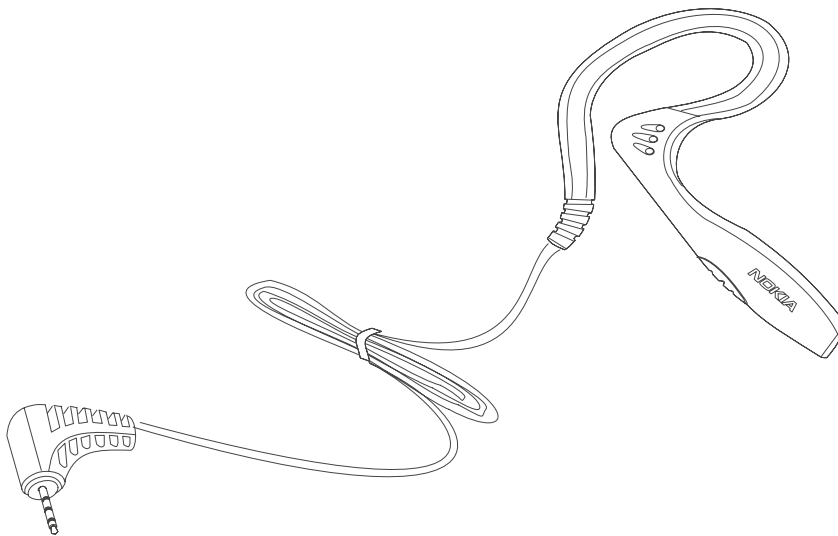


HDB-5 Boom Headset

The HDB-5 Boom headset provides convenient hands free operation of the phone and excellent audio quality.

Product Code

HDB-5 Headset: *0694107*



Loopset LPS-3

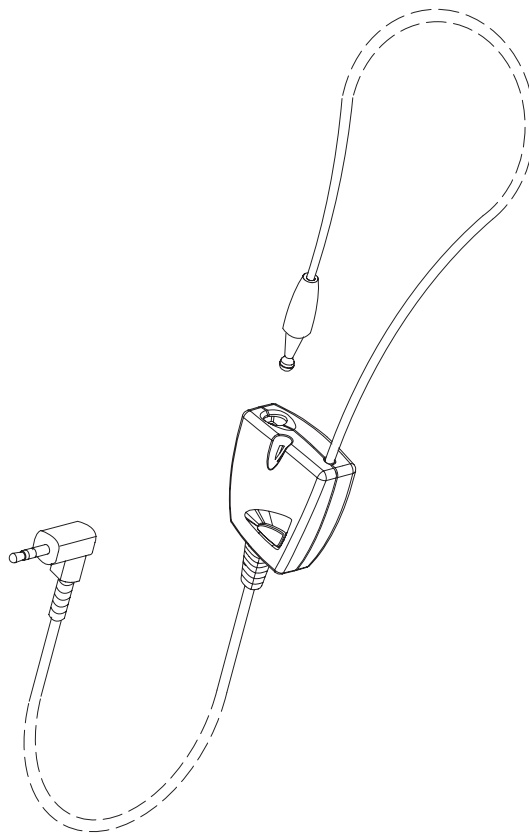
Loopset LPS-3 has been developed for hearing aid users to allow them to use mobile phones. It is based on induction technology.

All hearing aids have support for induction loop, i.e. they have a little telecoil inside. This coil can capture the signal supplied to the loop. Standard hearing aids have two operation modes; M-mode for normal microphone use and T-mode for telecoil use.

Product Code

Loopset LPS-3:

0630244



Recommended Batteries

Type	Size / IEC-type	Rated capacity	Talk time (3mA load)	Standby (20uA load)
Zinc Air Hearing Aid Battery	675 / PR44	540 mAh	180 hour.	840 hour or 35 day (1)
Silver Oxide Hearing Aid Battery	675 / SR44	150 mAh	50 hour.	7 500 hour or 310 day.
Alkaline Battery	675 / LR44	110 mAh	36 hour.	5 500 hour or 230 day.

Note (1): The capacity of the zinc air battery will fall 20% in a month. After the activation the zinc air battery begins to self-discharge. The battery will be empty within 5 weeks.

Music Player HDR-1

Music Palyer HDR-1 comprises the following functions:
Digital Player + FM Radio + Handsfree with voice dialling .

HDR-1 is self-powered, it can be used with or without mobile phone.

Product Code

Product code (English type label): 0694088

Product code (Chinese type label): 0694089

